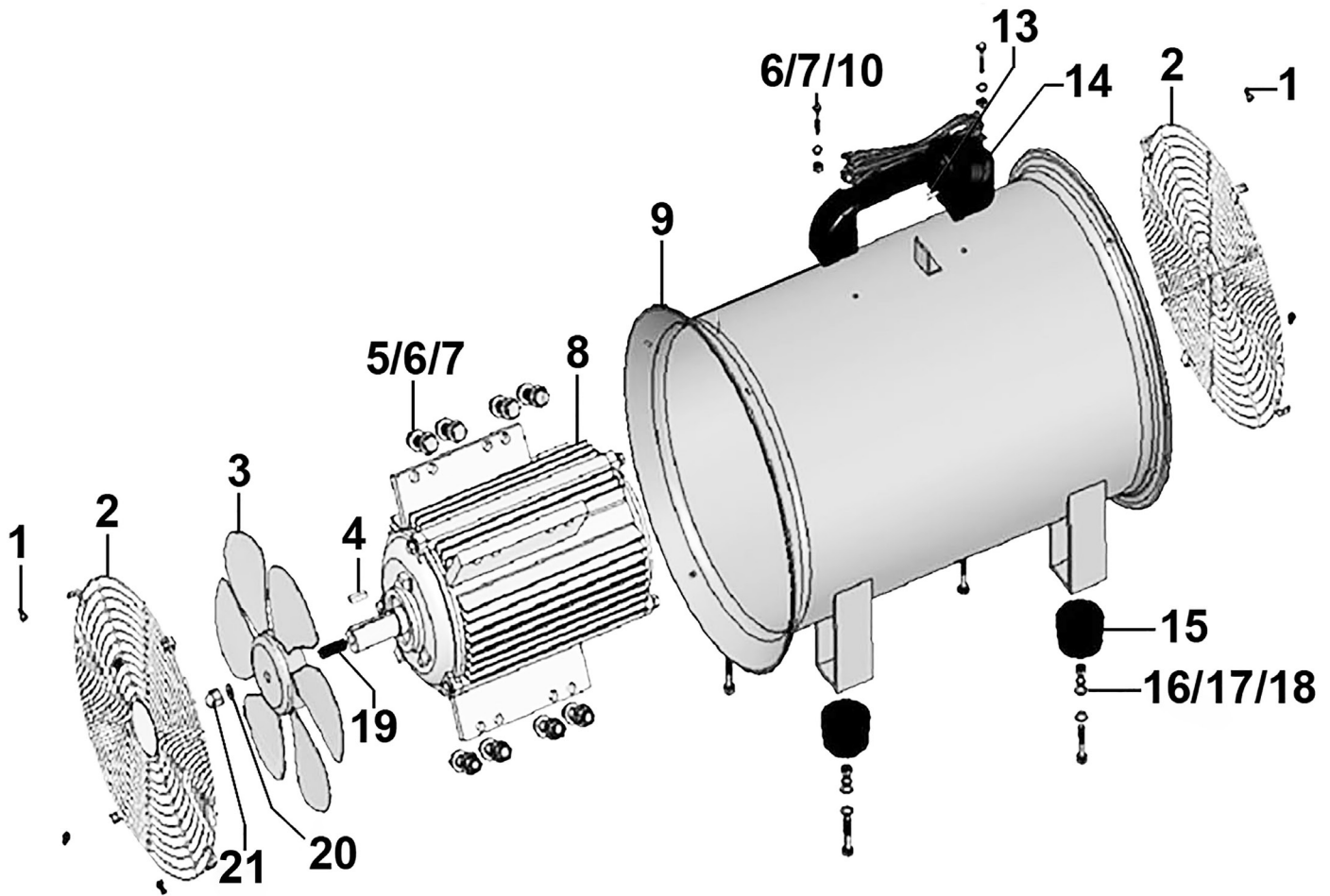


Parts Information:  
**Portable Ventilator with 5m Ducting**  
**Model No: VEN200.V4, VEN250.V2,**  
**VEN300.V3**



Item	Part No.	Description
1	MSP514.S	Machine Screw Pan Head Phillips M5 x 14mm
2	VEN200-V4-02	Front Guard ( <b>VEN200.V4 ONLY</b> )
2	VEN250.V2-02	Front Guard ( <b>VEN250.V2 ONLY</b> )
2	VEN300.V3-02	Front Guard ( <b>VEN300.V3 ONLY</b> )
3	VEN200-V4-03	Fan Blade ( <b>VEN200.V4 ONLY</b> )
3	VEN250.V2-03	Fan Blade ( <b>VEN250.V2 ONLY</b> )
3	VEN300.V3-03	Fan Blade ( <b>VEN300.V3 ONLY</b> )
4	VEN300.V3-04	Woodruff Key
5	SS612.S	Hex Head Set Screw M6 x 12mm Zinc
6	FWM6.S	Flat Washer M6 Zinc
7	SN6.S	Steel Nut M6 Zinc
8	VEN200-V4-08	Motor ( <b>VEN200.V4 ONLY</b> )
8	VEN250.V2-08	Motor ( <b>VEN250.V2 ONLY</b> )
8	VEN300.V3-08	Motor ( <b>VEN300.V3 ONLY</b> )
9	VEN200-V4-09	Drum Body ( <b>VEN200.V4 ONLY</b> )
9	VEN250.V2-09	Drum Body ( <b>VEN250.V2 ONLY</b> )

Item	Part No.	Description
9	VEN300.V3-09	Drum Body ( <b>VEN300.V3 ONLY</b> )
10	MSP625.S	Machine Screw Pan Head Phillips M6 x 25mm
13	VEN300.V3-13	Toggle Switch
14	VEN300.V3-14	Handle
15	VEN300.V3-15	Rubber Foot
16	MSP825.S	Machine Screw Pan Head Phillips M8 x 25mm
17	FWM8.S	Flat Washer M8 Zinc
18	SN8.S	Steel Nut M8 Zinc
19	VEN300.V3-19	Motor/Fan Screw M12
20	FWM12.S	Flat Washer M12 Zinc
21	SN12.SD	Steel Nut M12 Domed Zinc
--	VEN200AK1	Flexible Ducting Ø200mm 5m (Not Shown)
		<b>Optional Extra (Not Included)</b>
--	VEN200AK2	Flexible Ducting Ø200mm 10m (Not Shown)

**NOTE:** It is our policy to continually improve products and as such we reserve the right to alter data, specifications and component parts without prior notice. There may be alternative versions of this product, please contact us should you require this information.

**IMPORTANT:** No liability is accepted for incorrect use of product. Spare parts must be fitted by a competent person

**WARRANTY:** Guarantee is 12 months from purchase date, proof of which will be required for any claim.